

Product	Firescreen Temperature
Type:	T1, T2, T3, T4
Subtitle	Installation instruction Firescreen Temperature, on the supporting construction, tubular motor, gravity fail safe
Version:	1.3
Date:	July, 2018
Reference	HB-MAN-0006
Author:	Nicoline de Haan



1. Disclaimer

The purpose of this manual is to provide a guide for proper operation, installation and maintenance by trained specialists. Please read the manual carefully and follow the step-by-step instructions. SIMON PROtec Systems GmbH is not responsible for any damage or for personal injury as a result of incorrect usage, improper installation and defective products. If you choose not to follow our installation manual, all general, special, indirect, incidental and/or consequential damages are excluded from our warranty and are disclaimed by SIMON PROtec Systems GmbH.

2. Safety

Firescreen® fire curtains are tested in accordance with European standards and meet all appropriate provisions of the relevant legislation implementing certain European Directives. CE marking applies to our Firescreen® fire curtains.

Please make sure that installation is carried out on a fire resistant solid surface with sufficient mounting strength. Product was fire tested and approved on 200 mm thick cellular concrete, volumetric mass 600 kg /m3.

3. Before installation; please check:

Clear opening: dimensions (w x h) need to correspond to the exact sizes on the technical drawing.

Installation surface: surface needs to be clean, straight and perpendicular.

Floor: Floor needs to be level.

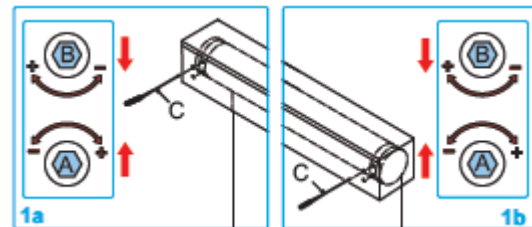
4. Proper manual setting

- First read the RZ-24, Firesceen Control Installation guide.
- Mount the control box and follow steps 14 to 19 of this manual.

- After the control unit, motor, bridge fire alarm and power supply are connected, you can start adjusting the motor and the curtain. First check the direction of the drive motor, and then check if the 24 VDC electro clutch works in the drive motor.
- Remove the rest of the protective plastic from the roller tube and curtain and place the curtain into the side guides.

The tubular motor can be integrated in the upper left -or upper right inside the cover.

- Right version displayed in figure 1a
- Left version displayed in figure 1b



Please be careful not to overload the tubular motor!! There is increased danger of thermal overload after about 5 minutes.

4.1 Manual setting, lower position (A)

1. Fully unwind the curtain, the motor will stop automatically.
2. Adjust the lower screw until the curtain touches the floor.
3. Adjust the lower screw, so that the curtain unwinds another 5 cm.

4.2 Mechanical fixation strip 'gravity closing

Install the metal strip (40) to the curtain to prevent it from unrolling to much (See page 12)

4.3 Manual setting, upper position (B)

1. Roll up the curtain completely, the motor will stop automatically.
2. Adjust the upper screw, until the curtain is fully retracted in the casing.

4.3 Fine tuning

1. Unwind and roll up the fire curtain for about 5 times.
2. Align the fire curtain manually. (if necessary)
3. If necessary, adjust the settings again.

5. Functional check

1. Unwind and roll up the fire curtain to visually inspect that the curtain runs up and down properly and smoothly.
2. Simulate a fire alarm to check that the fire curtain fully descends.

6. Final completion

1. Explain to the customer how the fire curtain operates.
2. Fill out the completion report
3. Hand over the installation -and service manual

7. Icons



Drilling machine



Screwdriver (Torx)



Wrench



Check



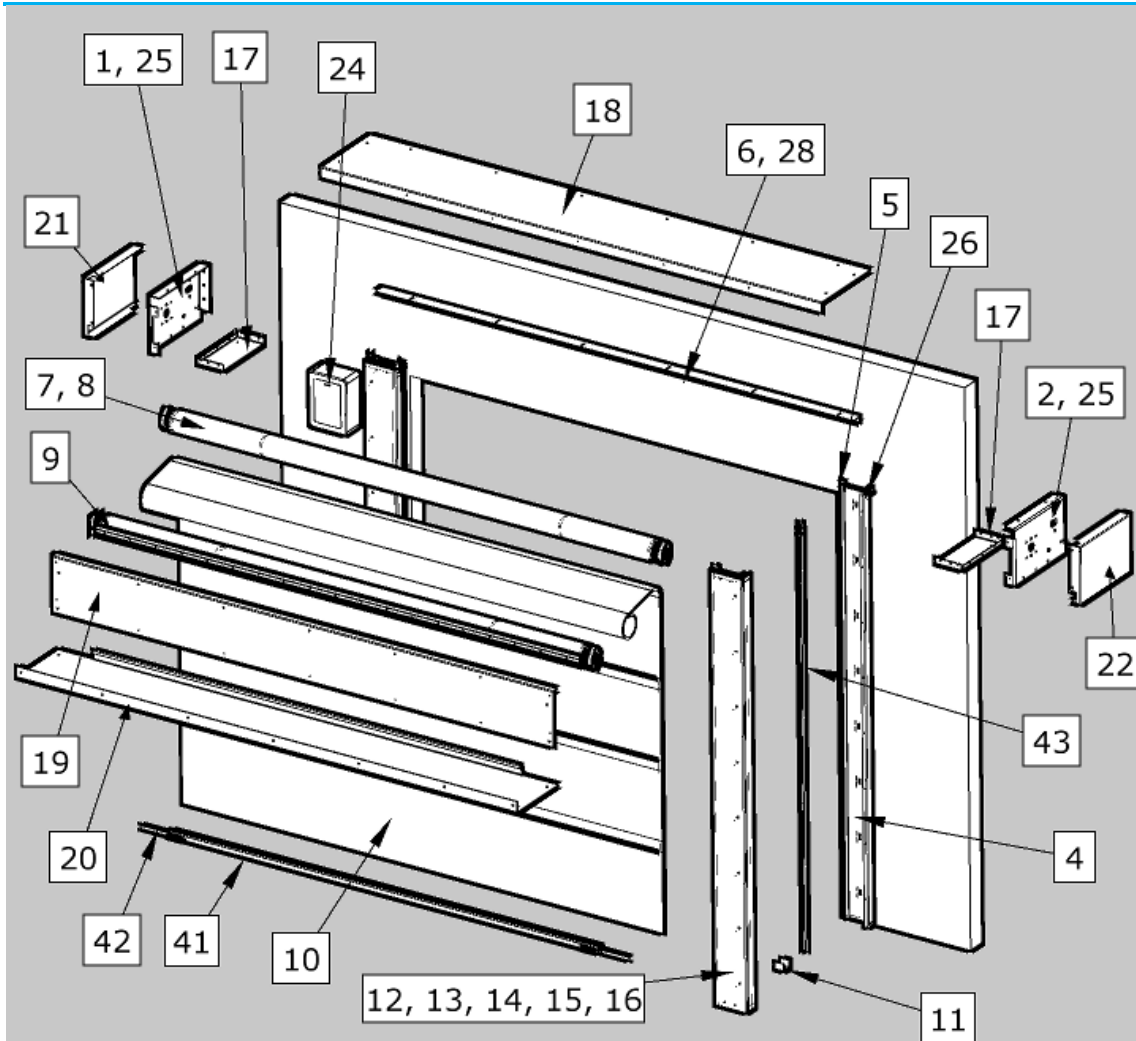
Attention



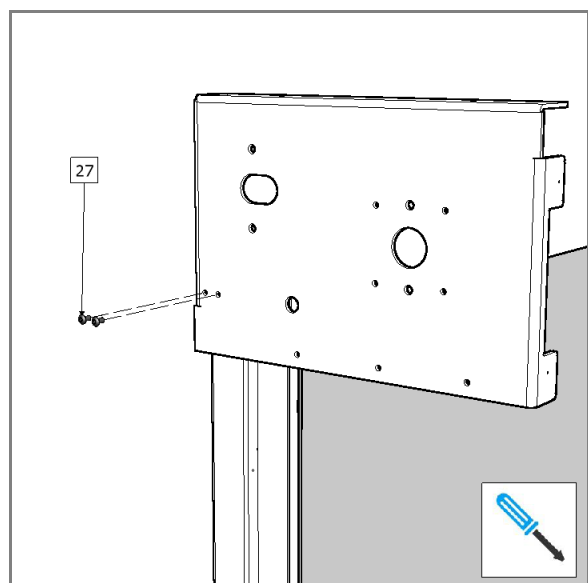
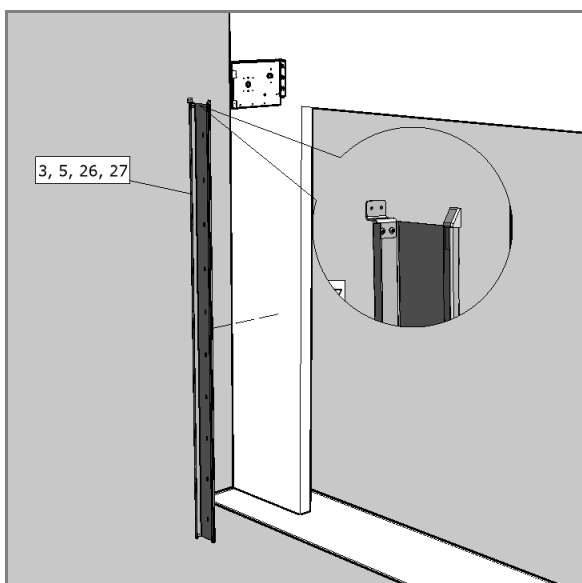
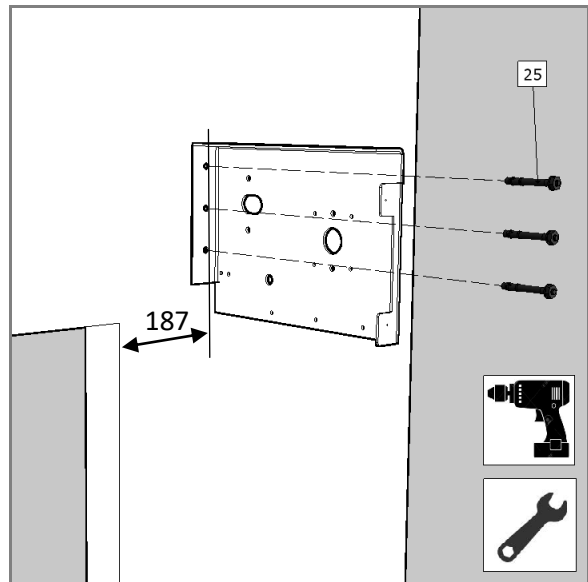
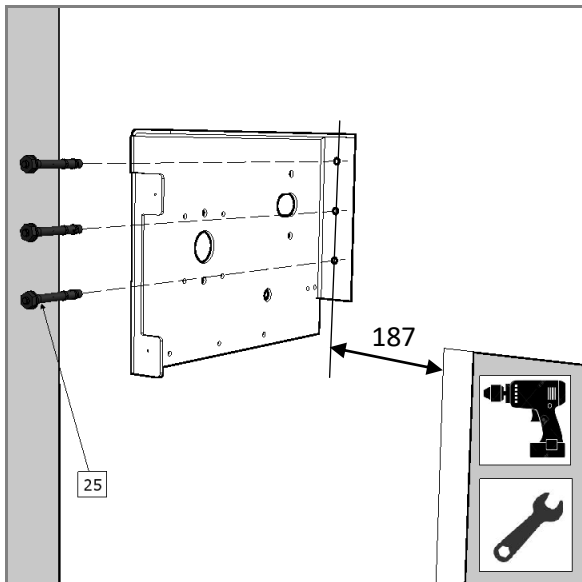
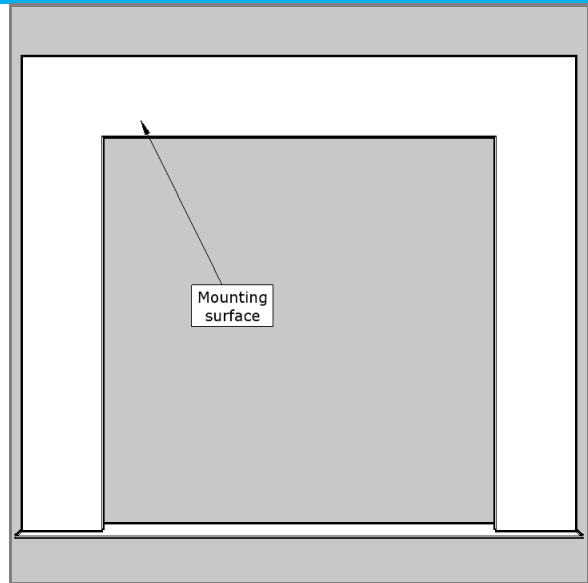
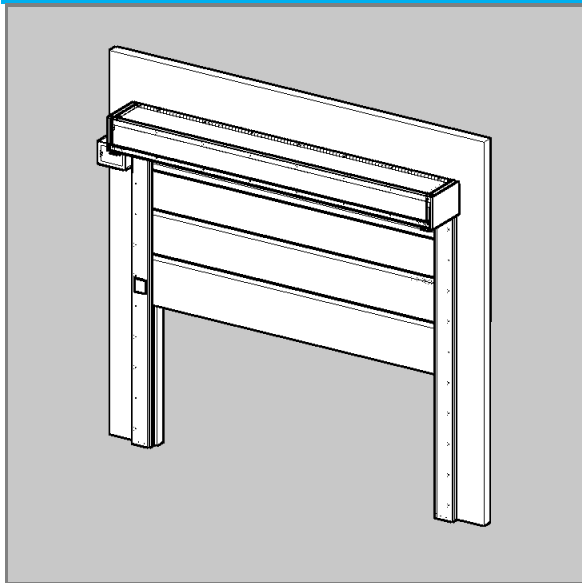
Centre bolt in slotted hole

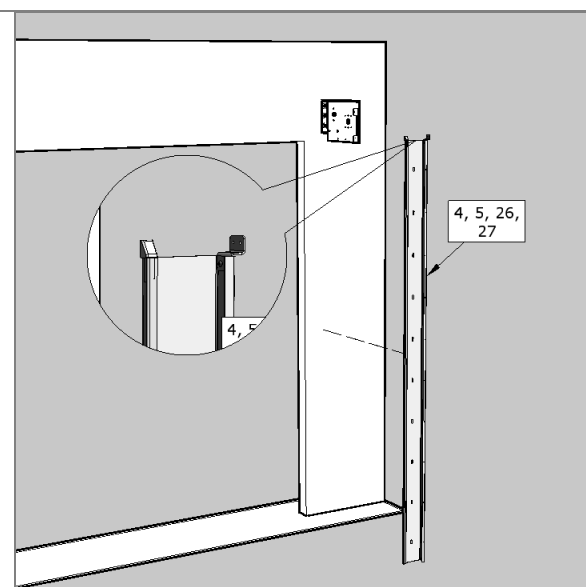
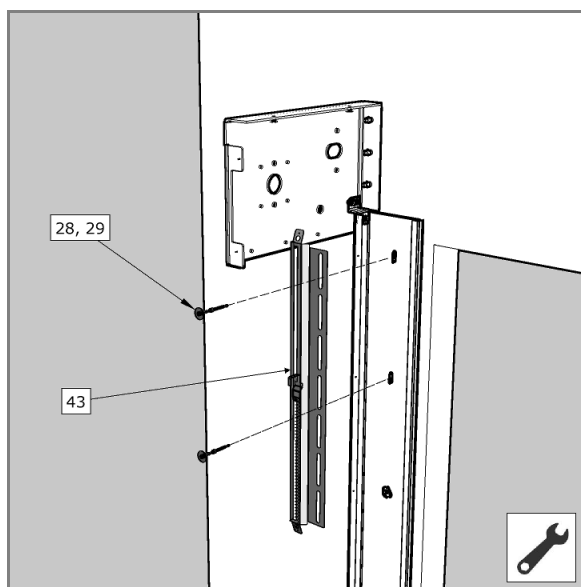
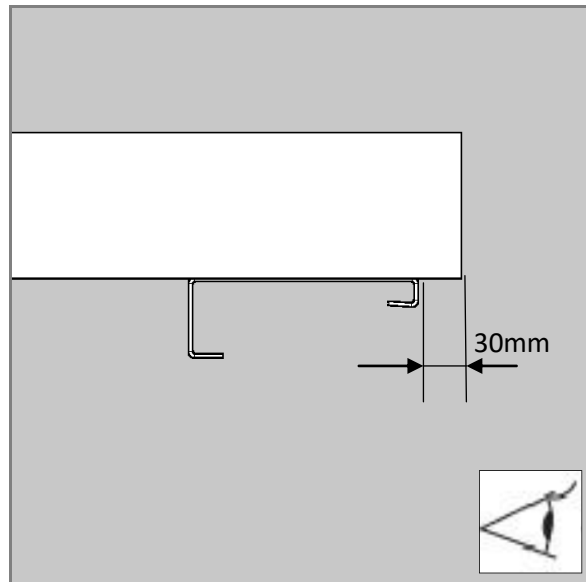
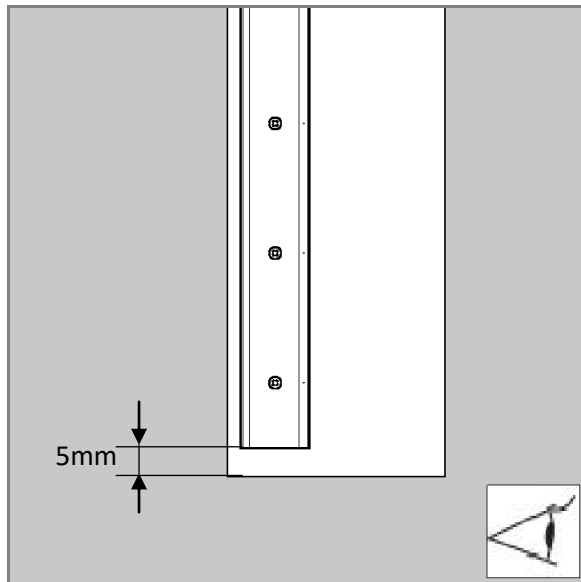
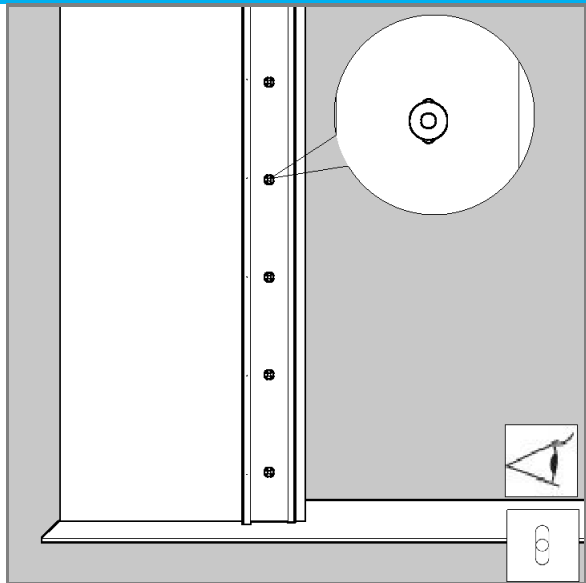
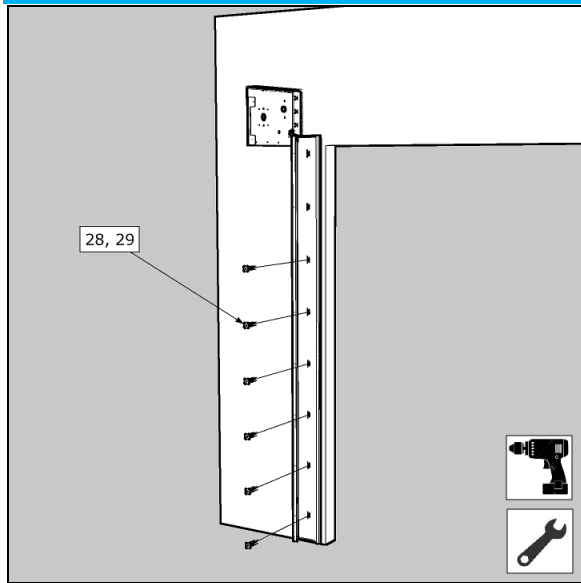


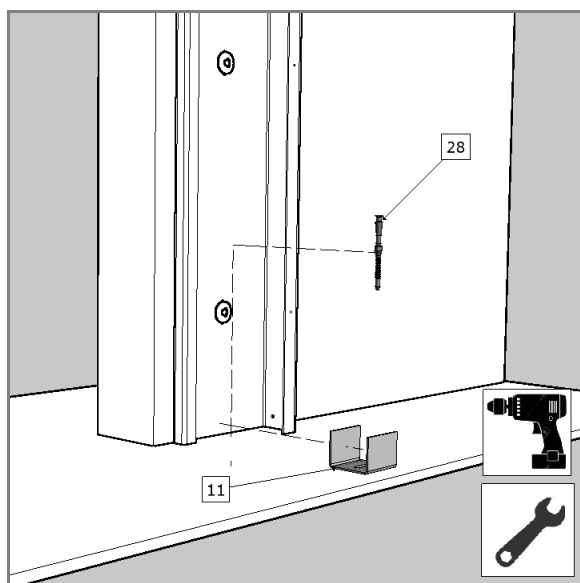
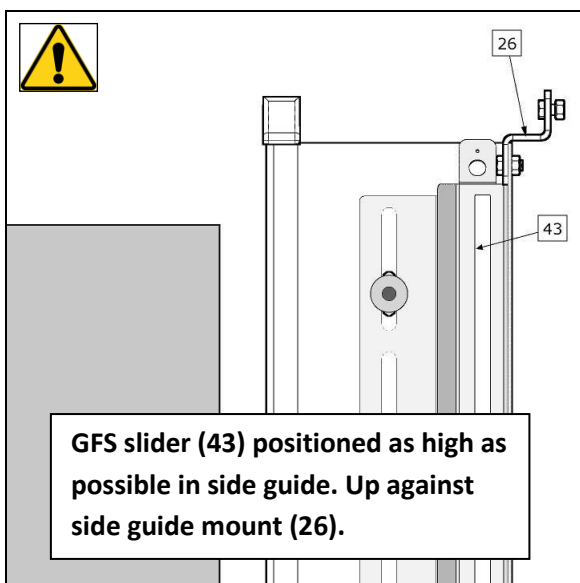
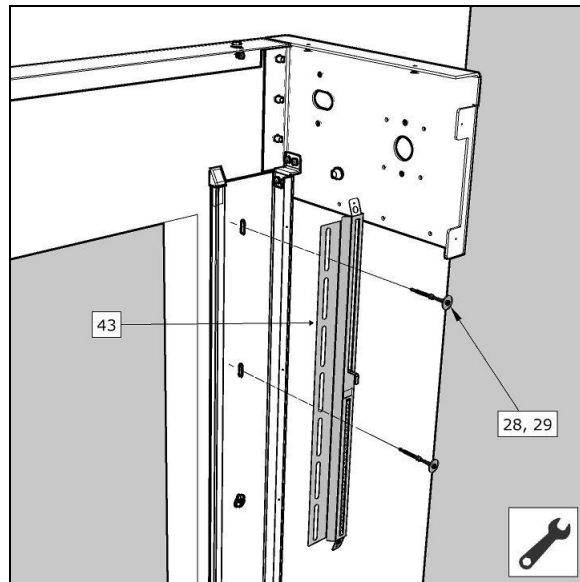
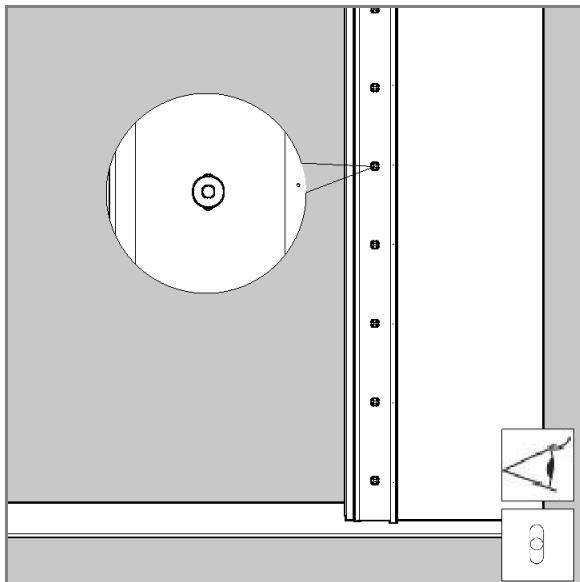
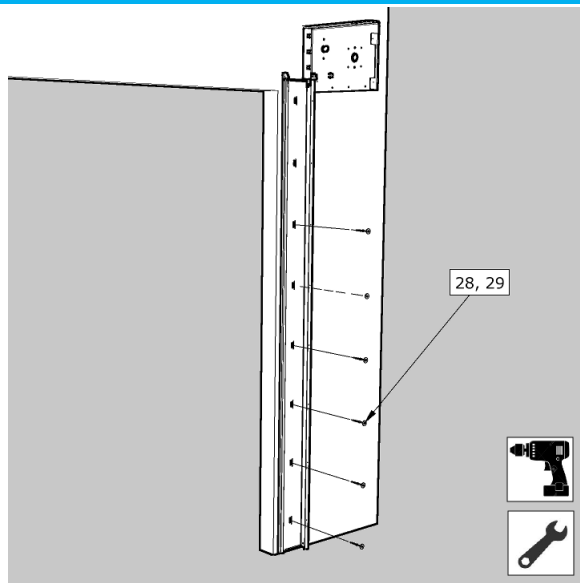
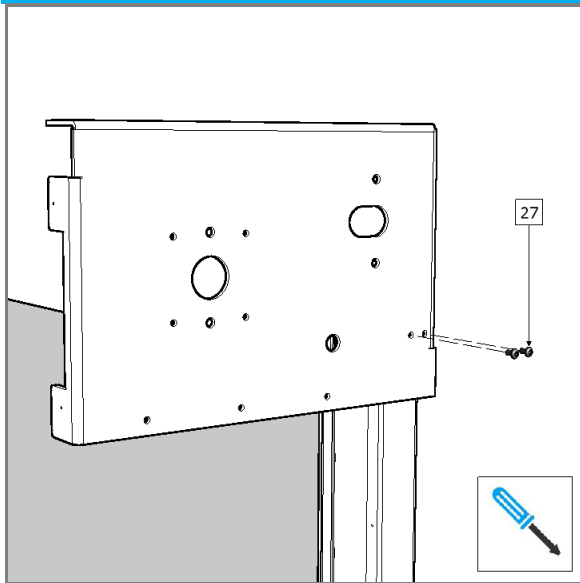
Finished.
Well done!

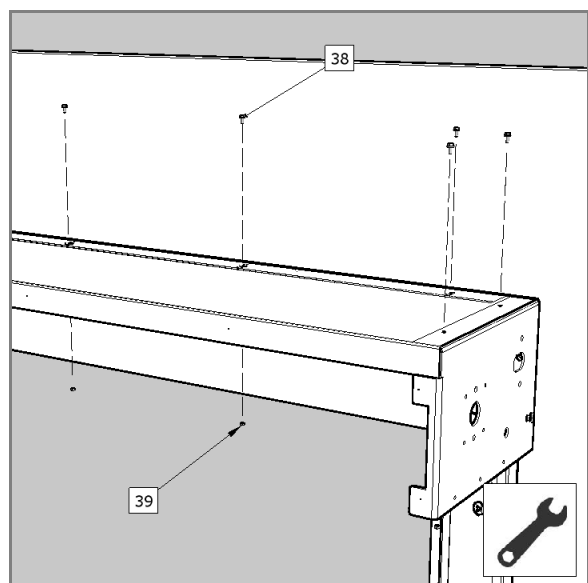
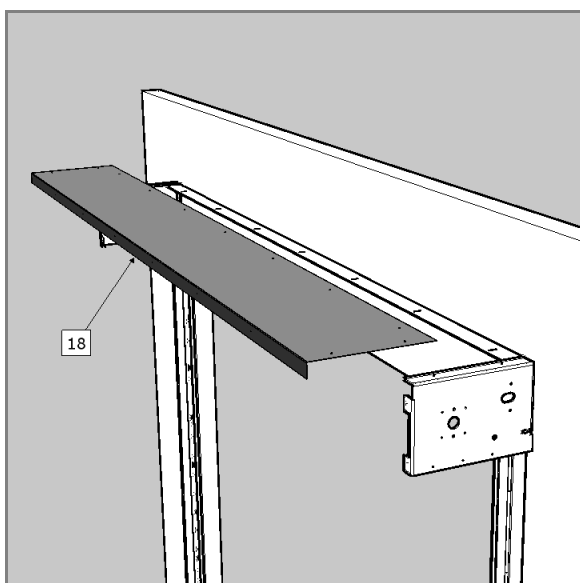
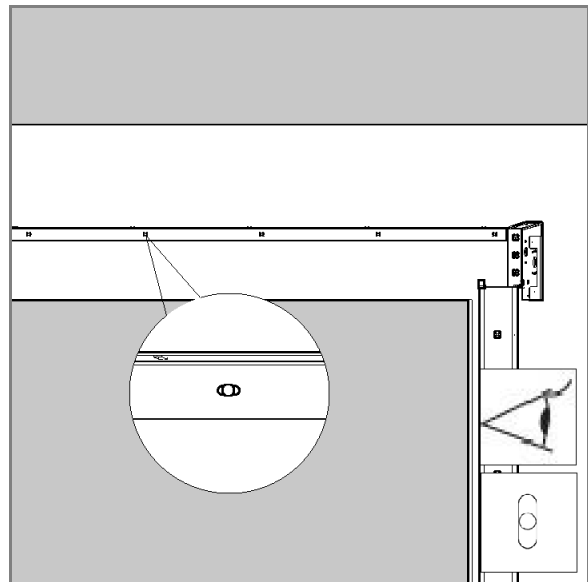
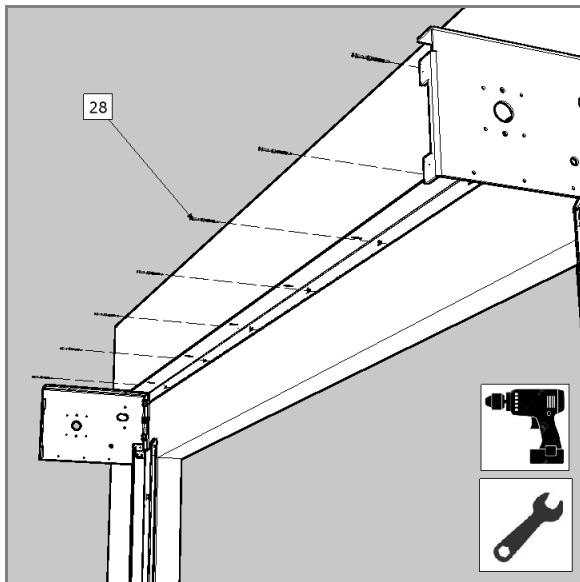
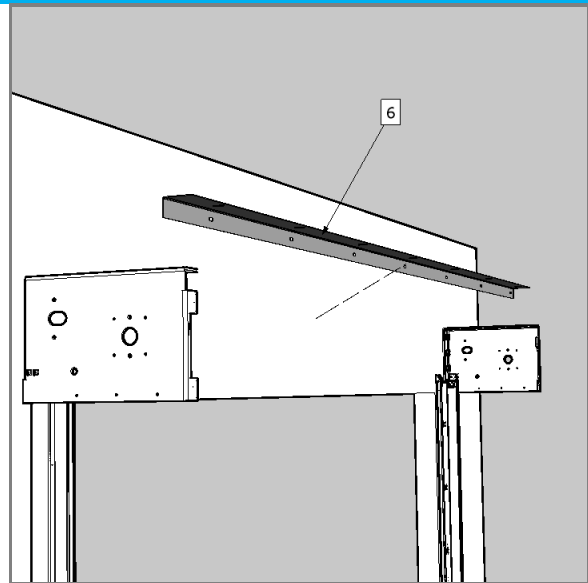
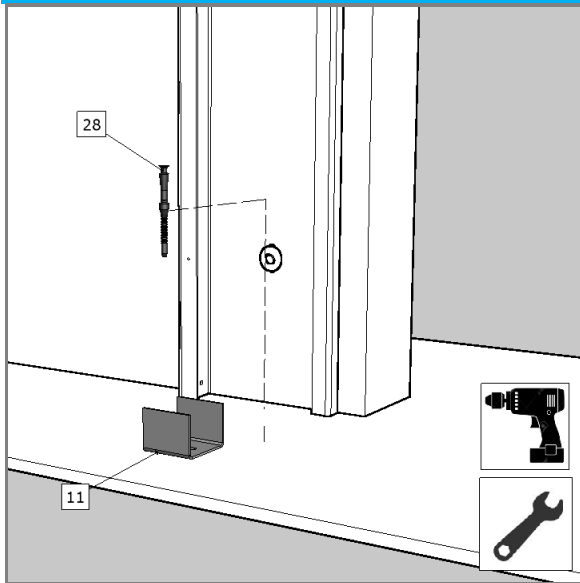


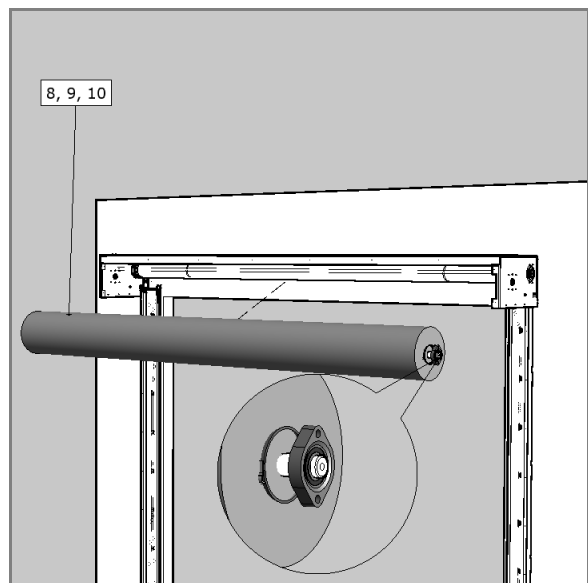
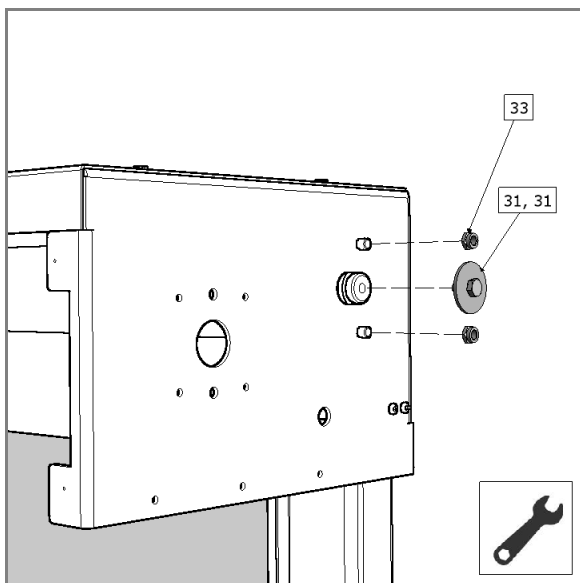
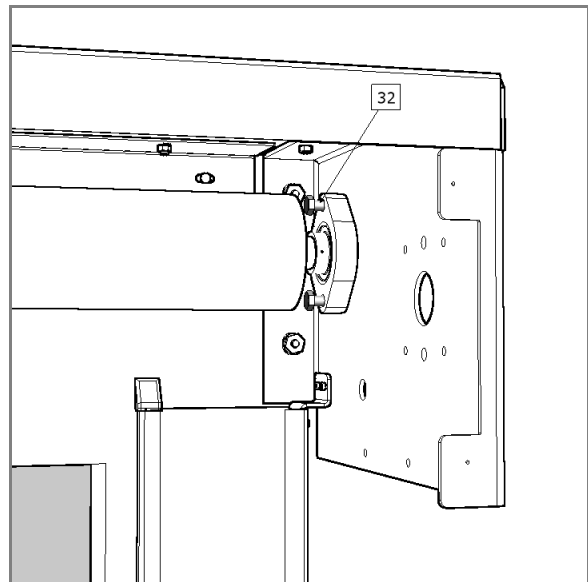
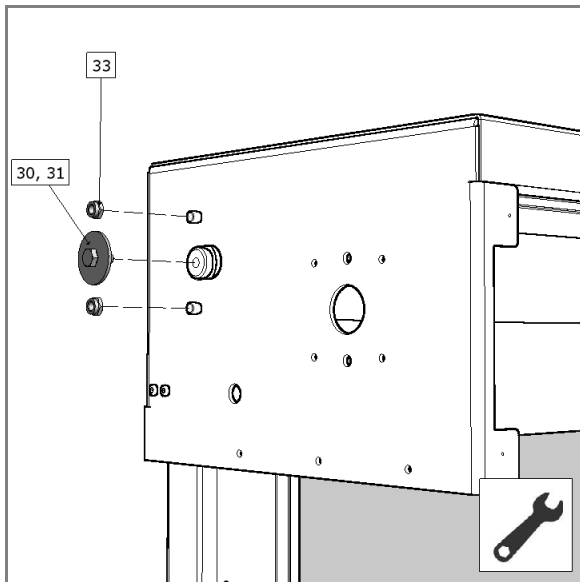
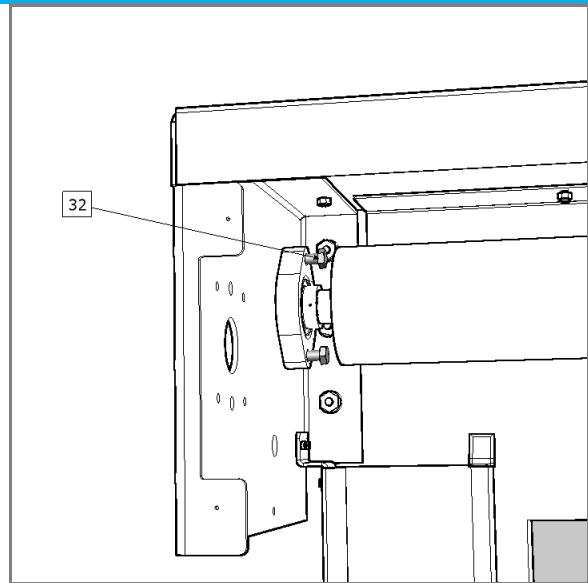
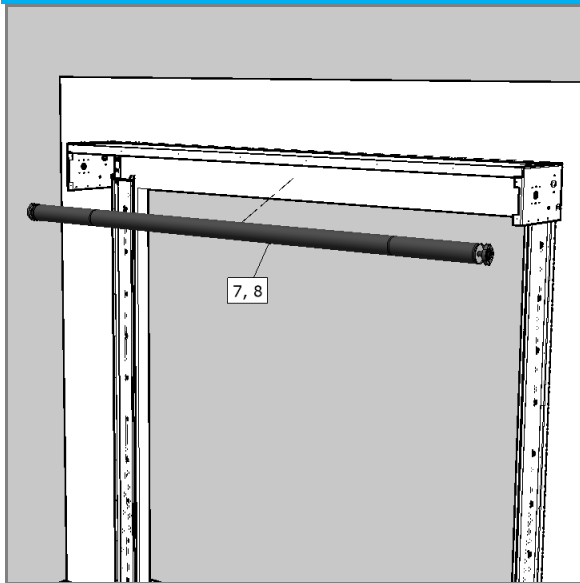
1	Console L	24	Control box
2	Console R	25	Wall plug, loaded part (see page 17)
3	Mounting side guide L	26	Side guide Mount
4	Mounting side guide R	27	Button head screw ISO 7380 M6x10
5	Slider L+R	28	Wall plug, unloaded part (see page 17)
6	Folded strip cover	29	Washer DIN 9021 M8
7	Tube double axis	30	Bolt DIN 24017 M10x20
8	Bearing 30mm	31	Washer high wide M10x50x3
9	Tube motor internal GFS	32	Bolt DIN 24017 M10x35
10	Curtain	33	Nut hex lock DIN 10511 M10
11	Floor Mount	34	Button head screw ISO 7380 M5x16
12	Side guide inner U L+R	35	Plain washer ISO 7095 St M5
13	Promatect H side guide 1	36	Hex nut ISO 4032 M5
14	Promatect H side guide 2	37	Selfdrilling panhead tapping torx with collar 4.8mm
15	Promatect H side guide 3	38	Hex flange bolt DIN 6921 M6x12
16	Cover side guide L+R	39	Hex nut DIN 24032 M6
17	Corner Mount	40	Fixation strip for GFS
18	Top cover	41	Bottom bar/ Safety bar
19	Front cover	42	Bar extender
20	Bottom cover	43	GFS Slider
21	Side cover L	99	Installation tool
22	Side cover R		
23	Type plate		

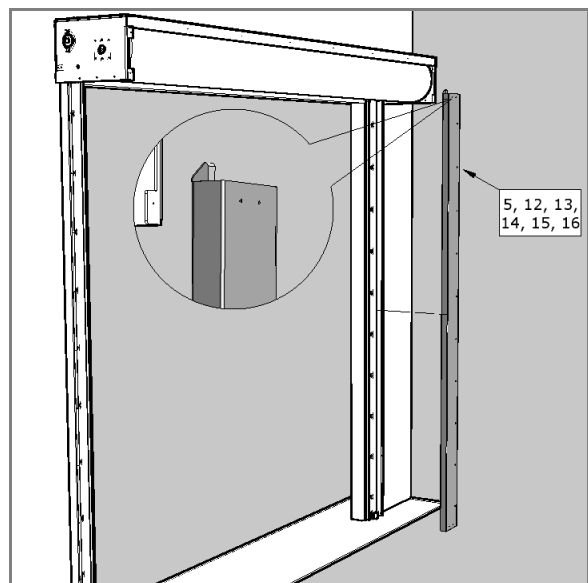
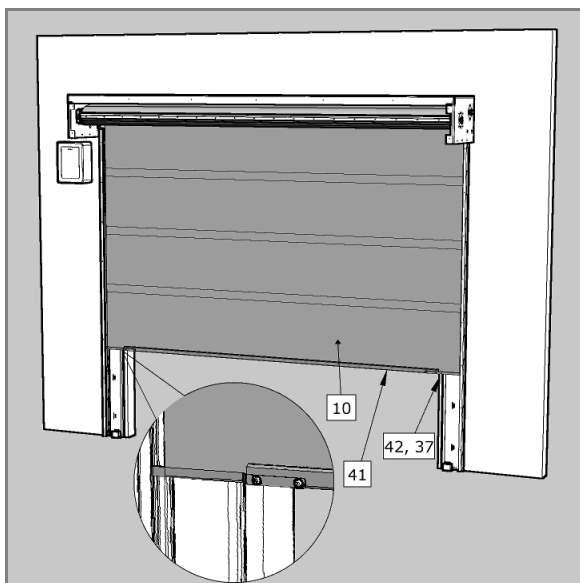
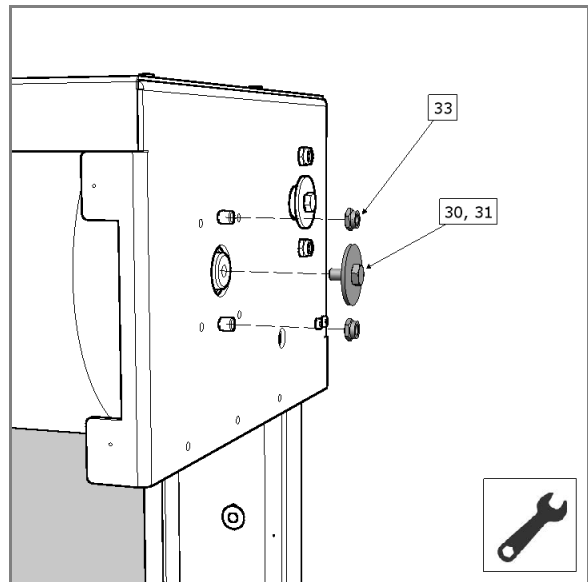
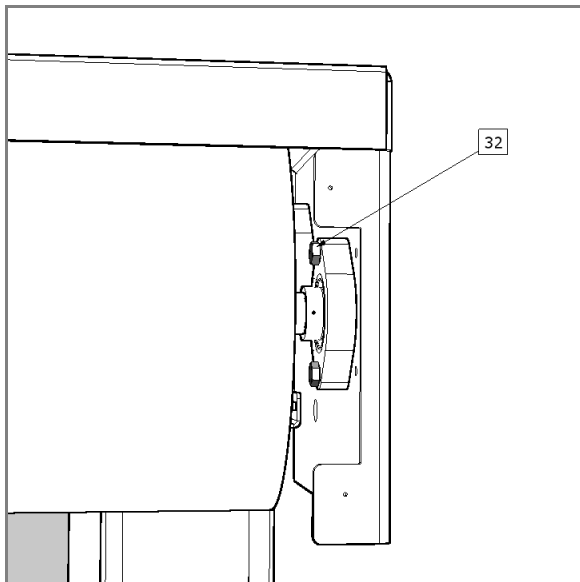
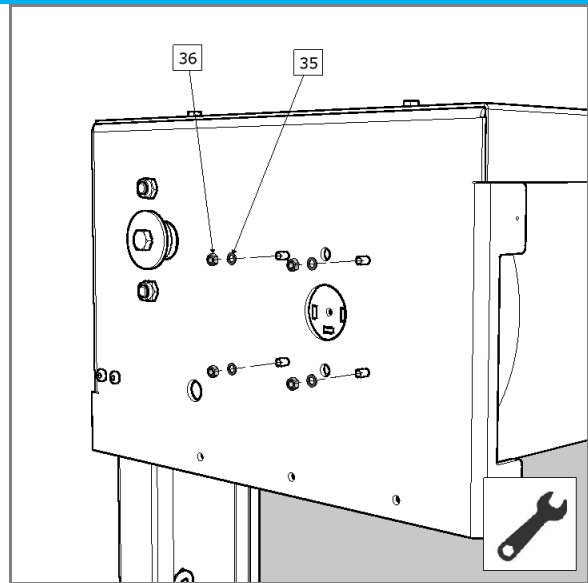
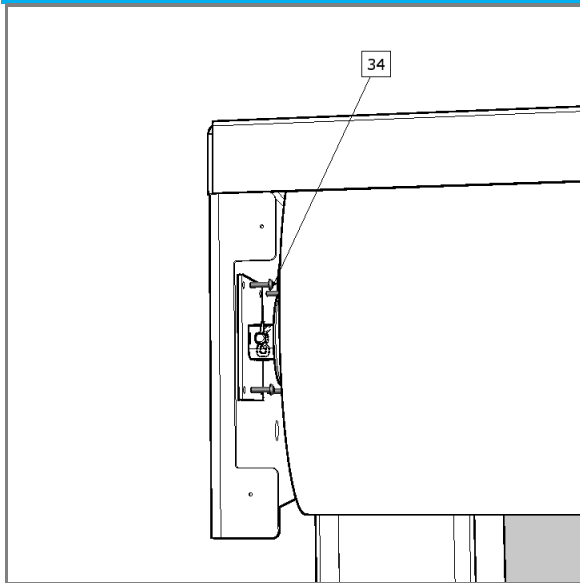


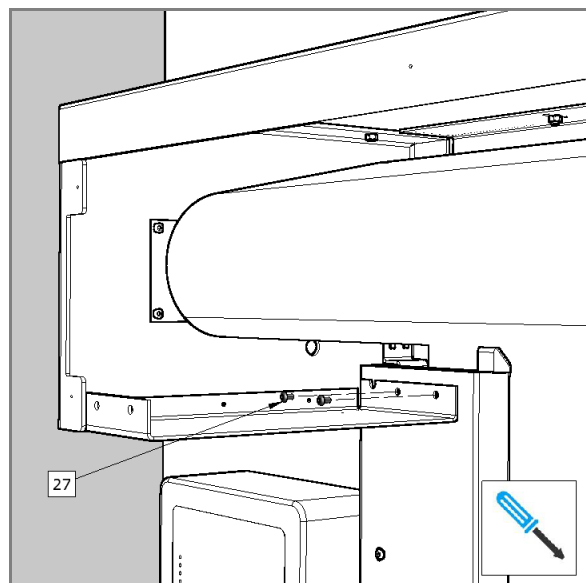
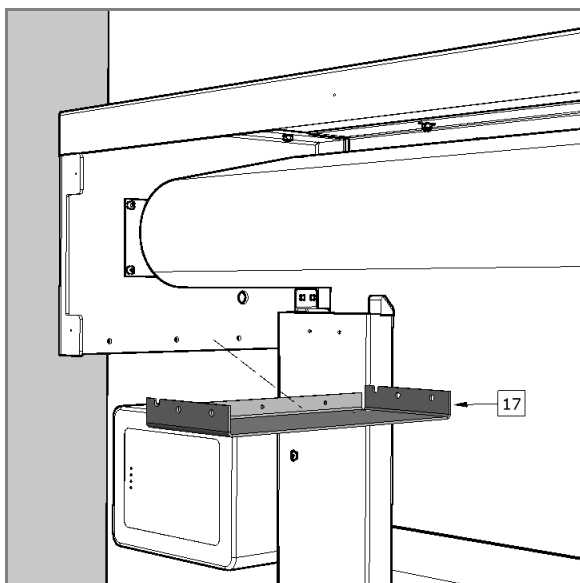
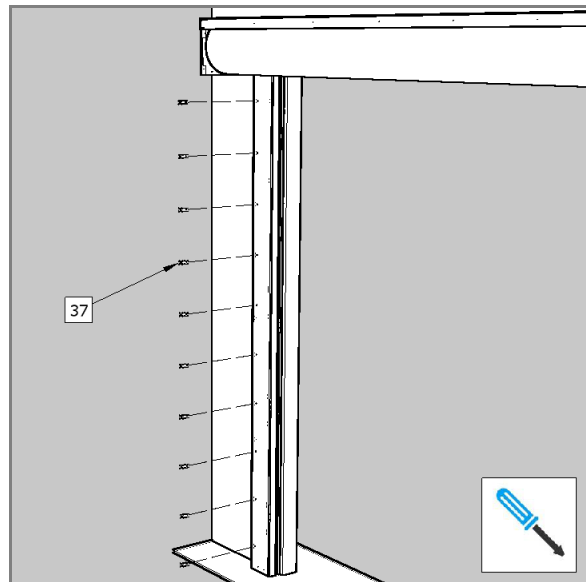
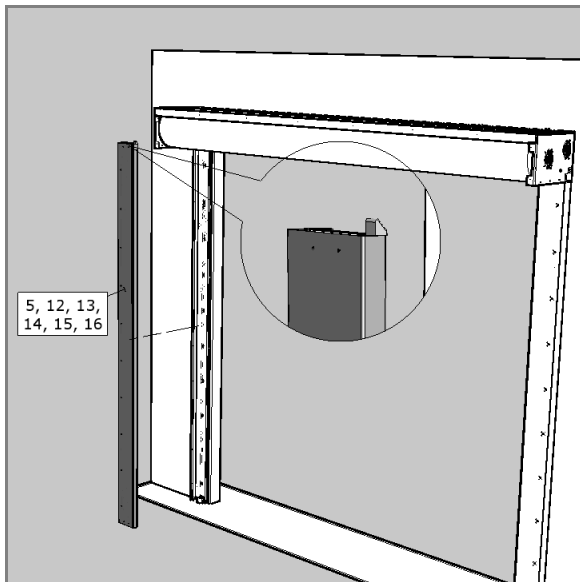
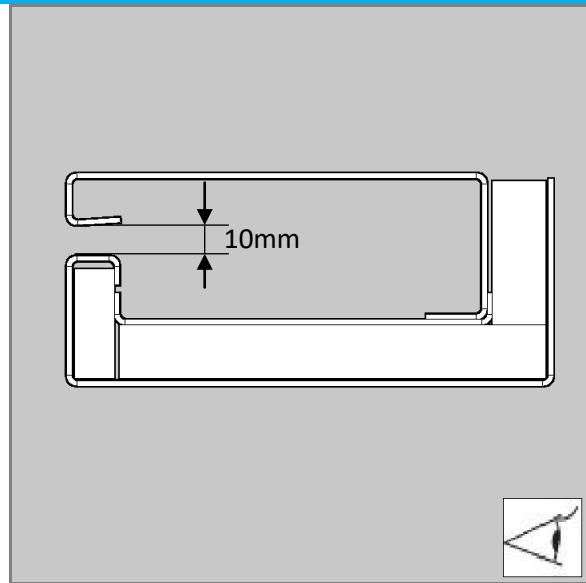
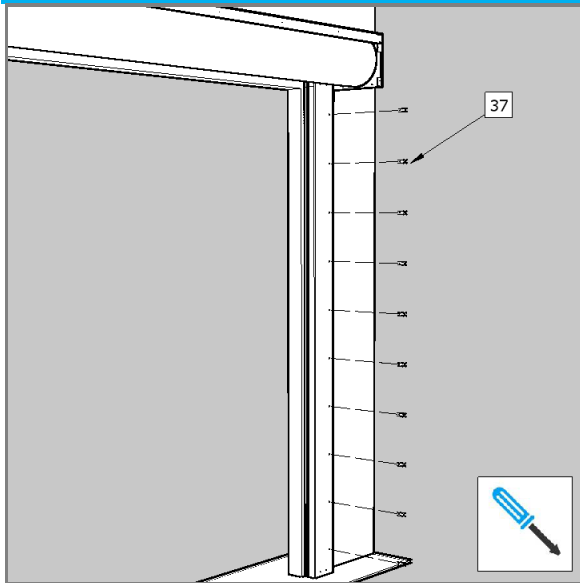


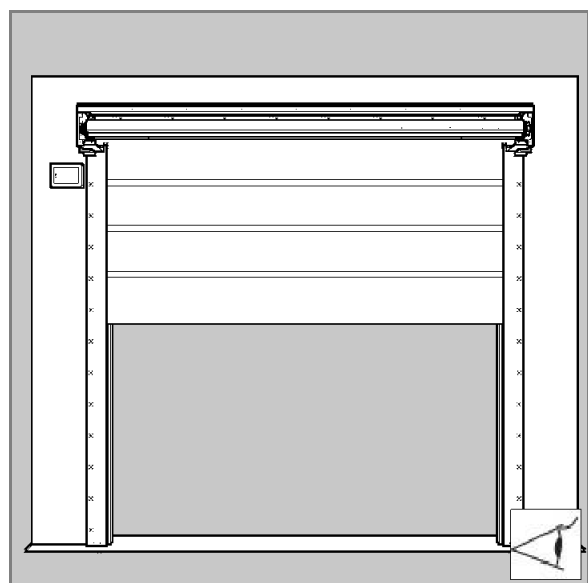
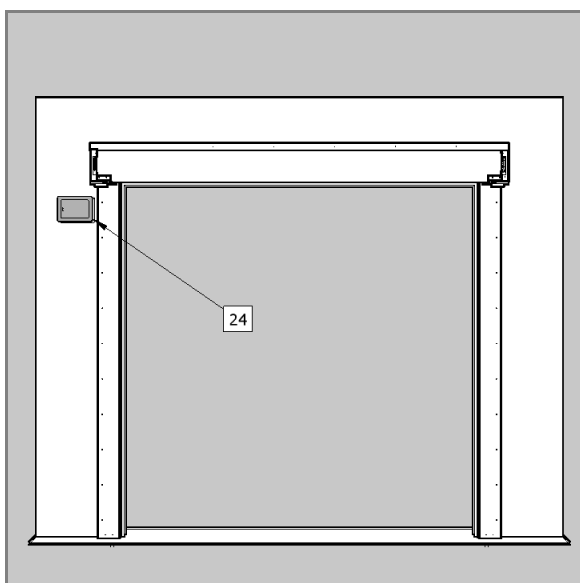
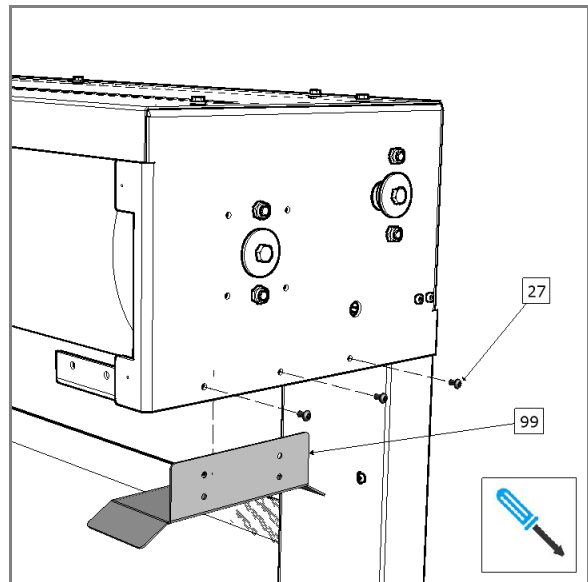
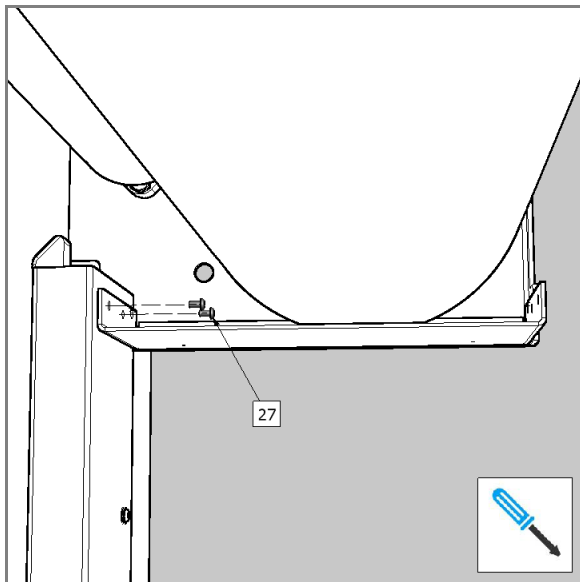
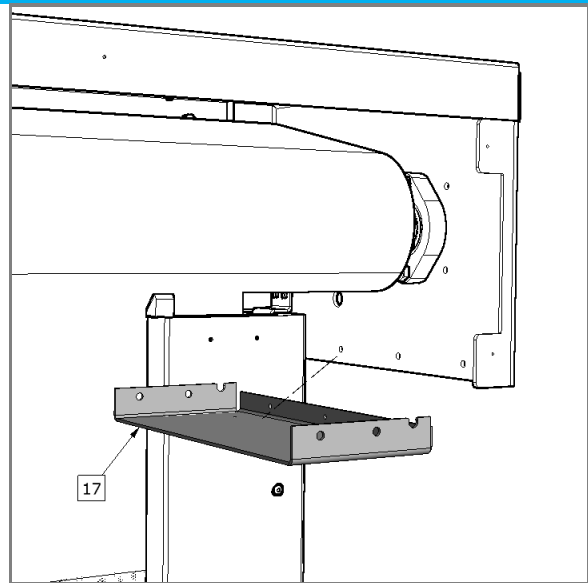
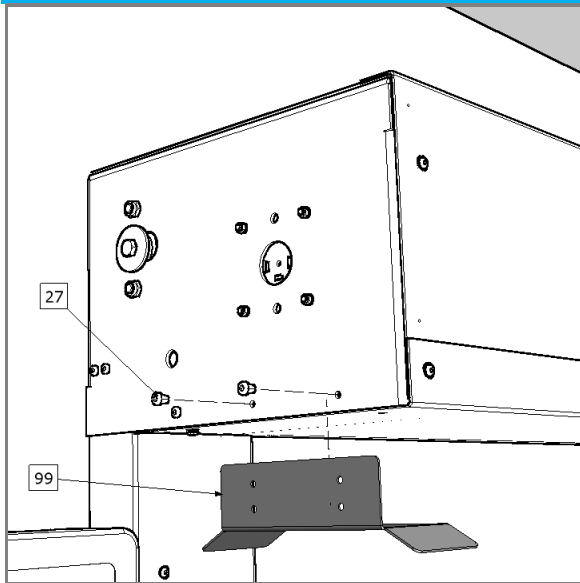


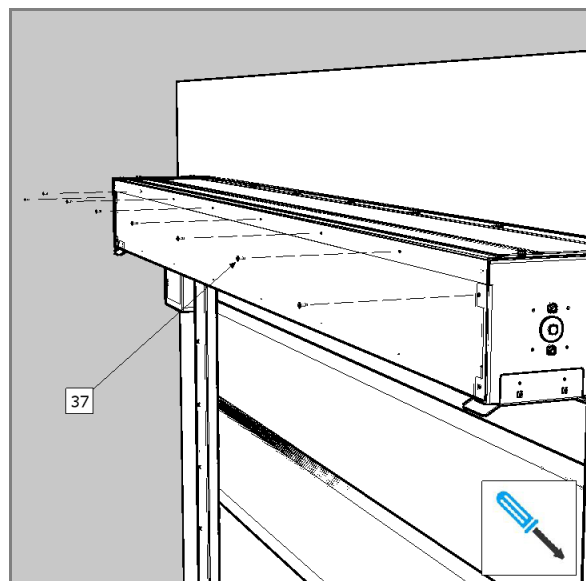
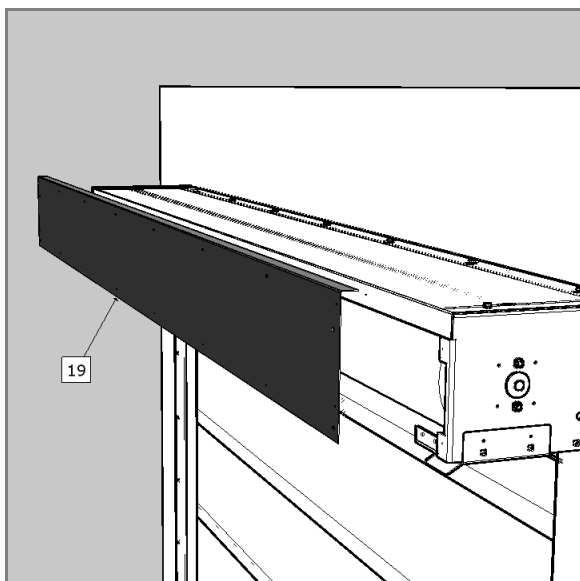
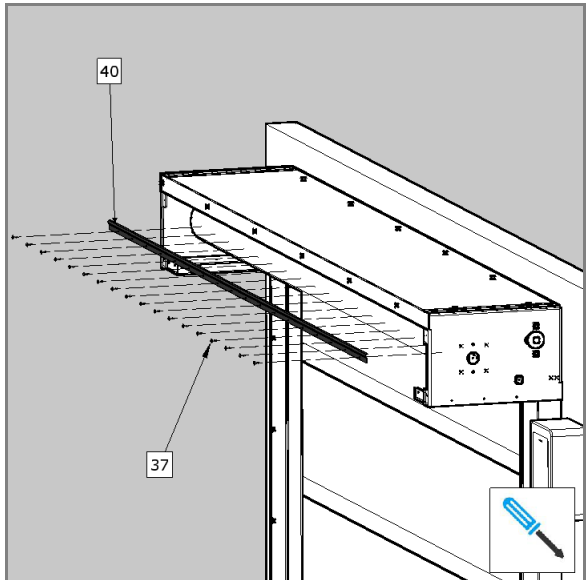
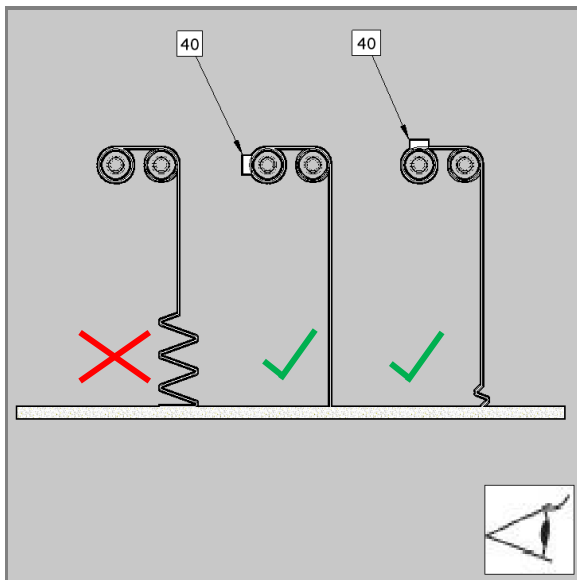
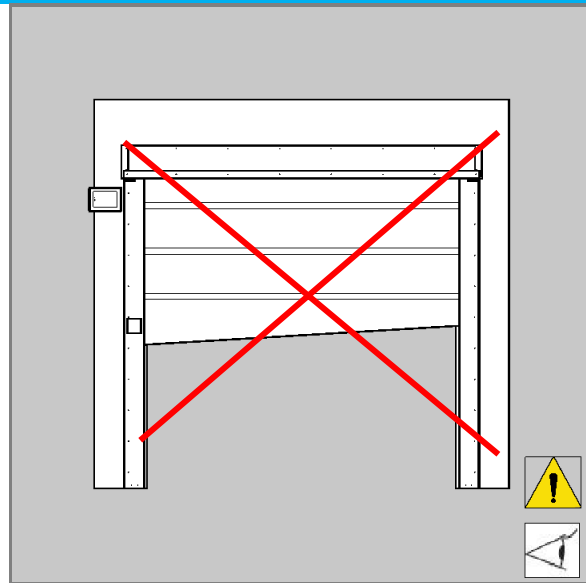
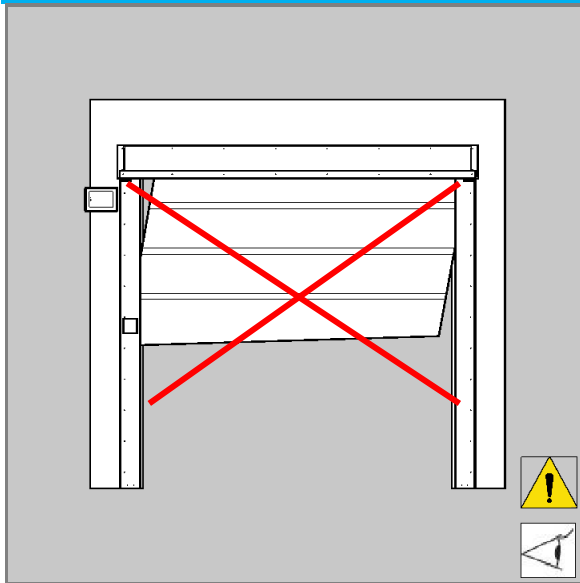


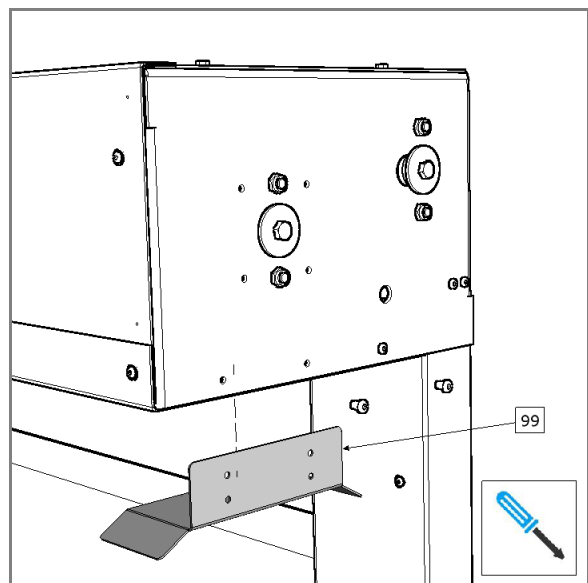
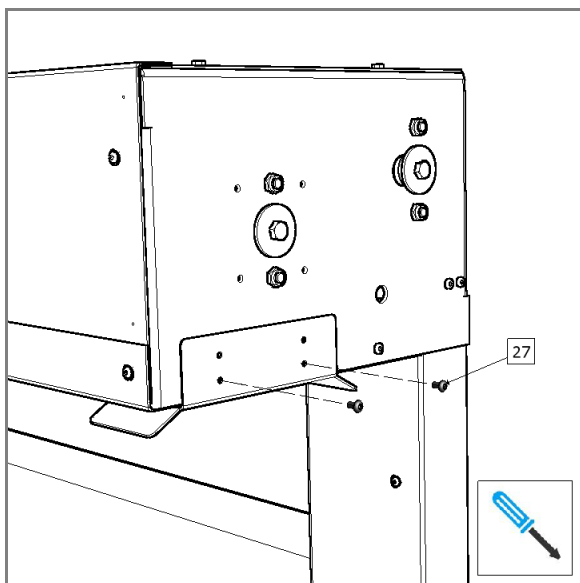
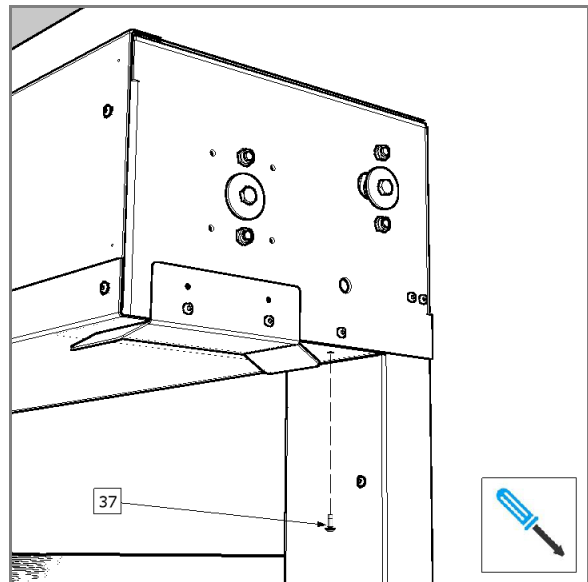
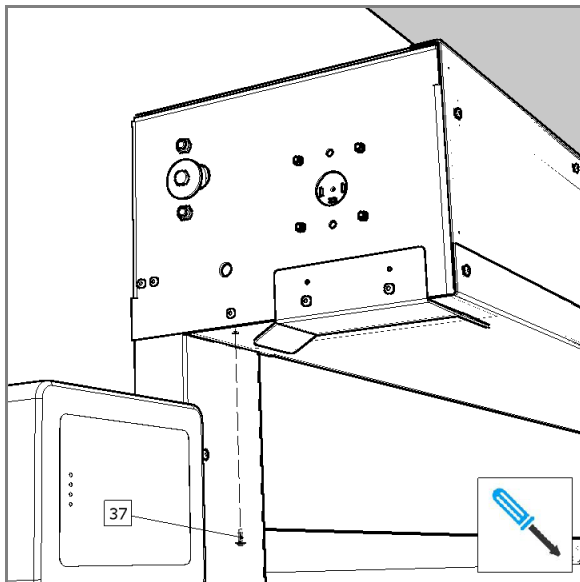
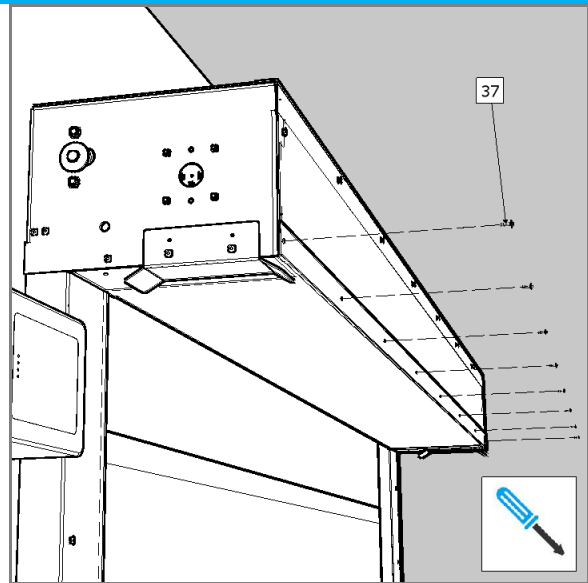
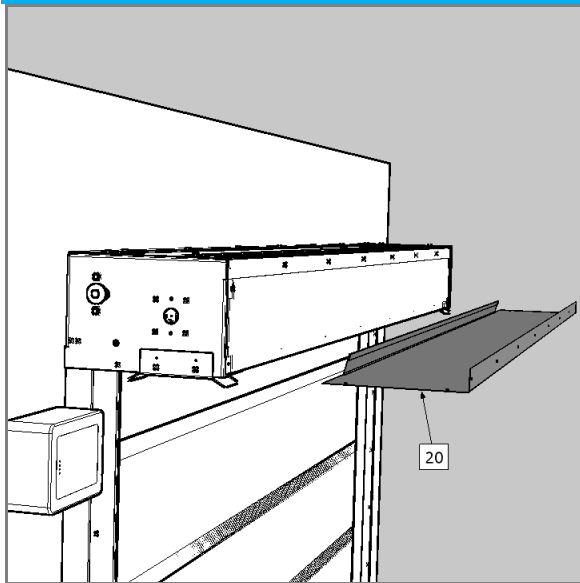


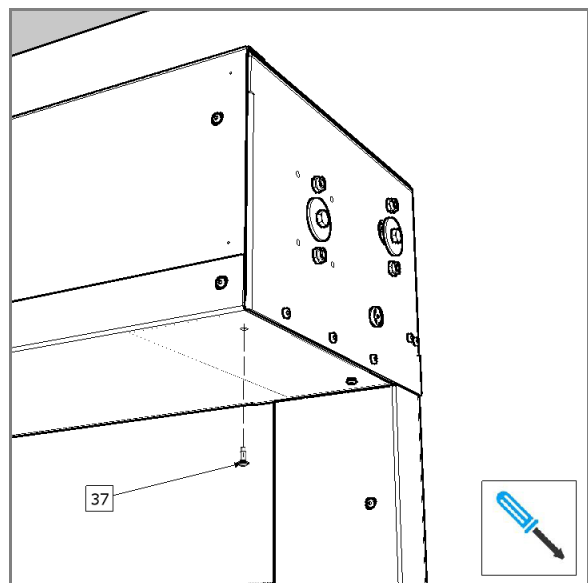
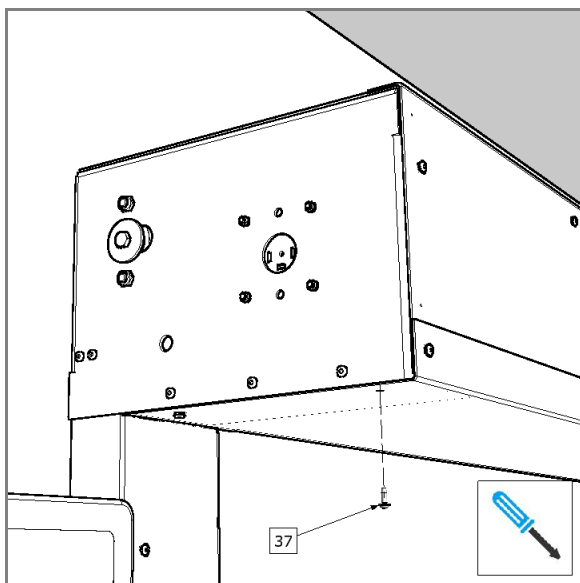
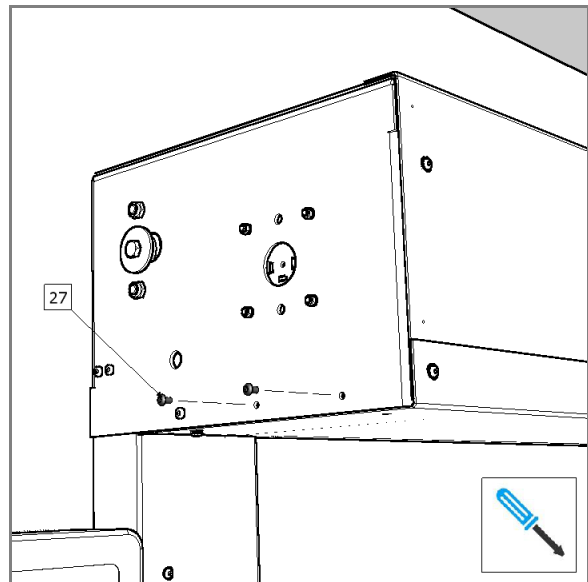
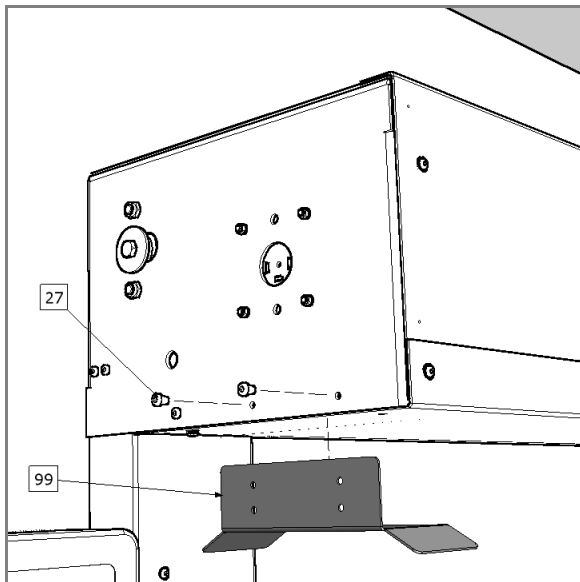
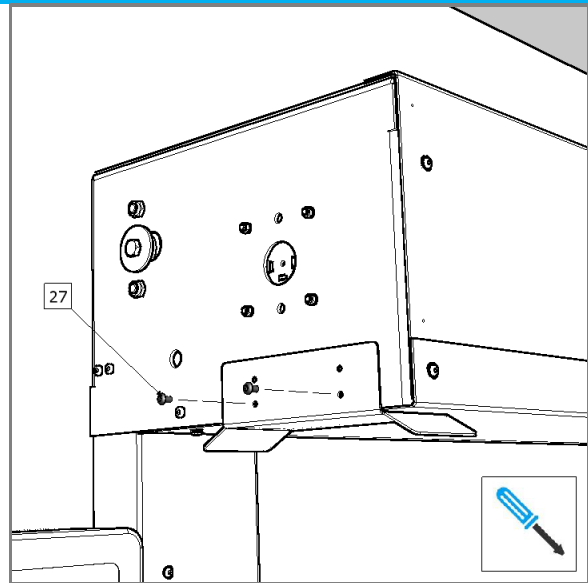
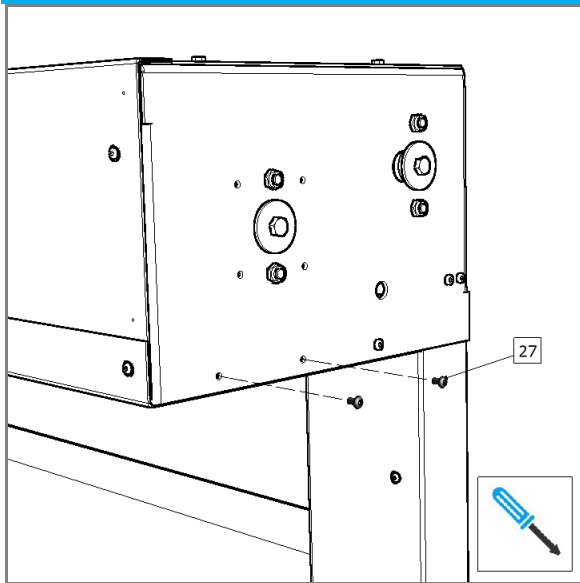


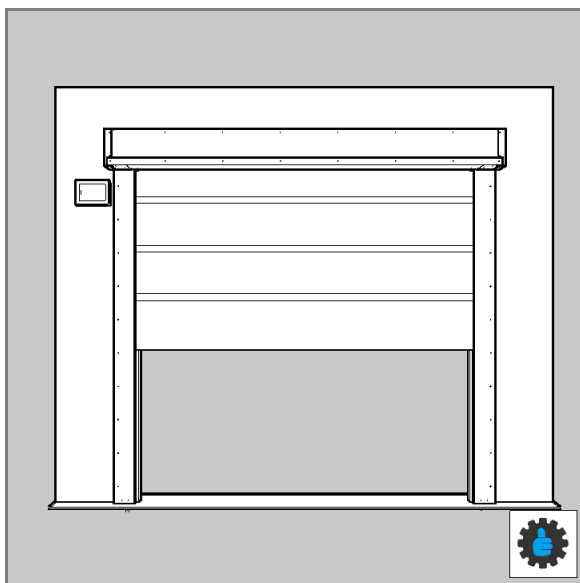
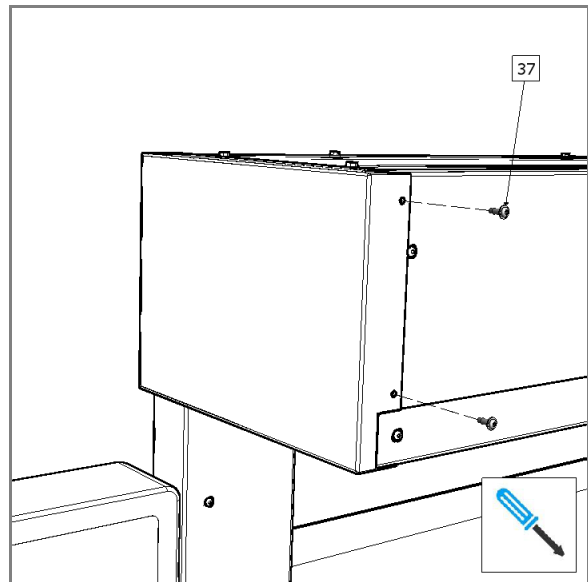
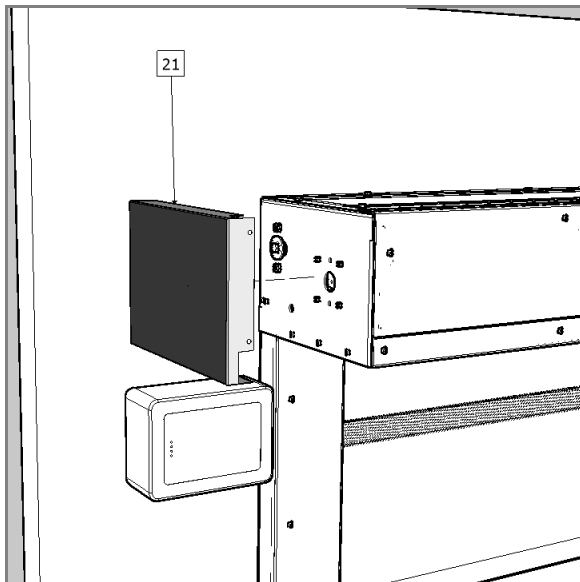
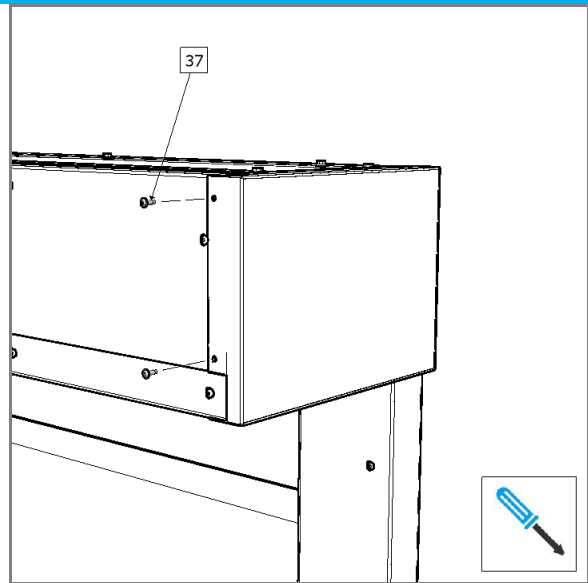
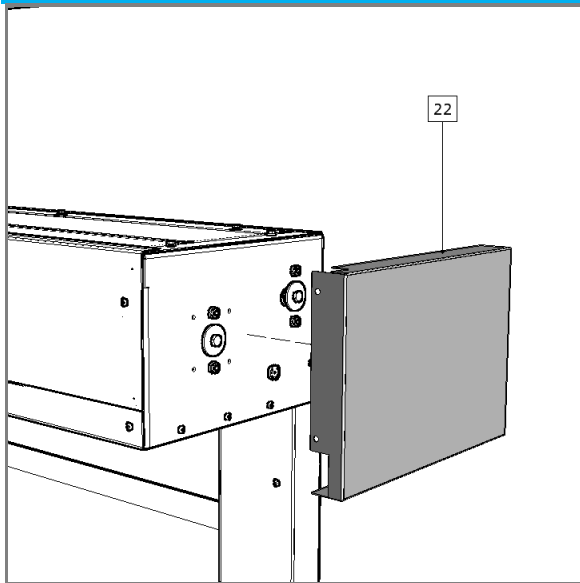













Anchoring solutions

Reference is made to the installation drawings

Mounting surface	Mounting method, non load-bearing parts	Productspec.	Mounting method, load-bearing parts	Productspec.
Promatect UNP/ tube	Drilling and tapping	M6x30	Drilling and tapping	M10x50
Concrete	HRD-C	HRD-C 8x80	Stud anchor	HST M10x75/10
	Screw anchor	HUS-3C 8x60	Sleeve anchor	HLC 10x60/25
	Chemical anchor	HIT-HY-200-A	Screw anchor	HUS-3C 8x80
Aerated concrete	HRD-C	HRD-C- 8x80	Wedge anchor	HPD M8/10
	Threaded rod through the wall	Threaded rod M6	Threaded rod through the wall	Threaded rod M8
Brick full	HRD-C	HRD-C 8x80	Sleeve anchor	HLC 10x60/25
Brick hollow	HRD-C	HRD-C 8x80	Chemical anchor	HIT-HY-70
	Chemical anchor	HIT-HY-70	-	-

Load-bearing parts: Consoles

Non load-bearing parts: Side guides, top cover etc.

 1322	
SIMON PROtec Systems GmbH Medienstraße 8 D-94036 Passau Germany 17	
DoP's are available at: www.simon-protec.com	
DoP-2018_FSV-EI30-C	DoP-2018_FSV-EI60-C
EN 16034:2014 Firescreen® Temperature T1 EI30 Dimensional restrictions: Max. width x height: 5000 x 4000 mm Steel zinc-plated/coated material Rigid support structure: possible Fire compartmentation Resistance to fire: EI ₂ : 30 Smoke control: NPD Ability to release: released Self-closing: C Durability of self-closing: 1 Durability of ability to release: release maintained	EN 16034:2014 Firescreen® Temperature T2 EI60 Dimensional restrictions: Max. width x height: 3000 x 2930 mm Steel zinc-plated/coated material Rigid support structure: possible Fire compartmentation Resistance to fire: EI ₂ : 60 Smoke control: NPD Ability to release: released Self-closing: C Durability of self-closing: 1 Durability of ability to release: release maintained

The product is CE marked according to EN 16034 in combination with EN 13241 for the versions mentioned above.

SIMON PROtec Systems GmbH
Medienstraße 8
D-94036 Passau
Germany

+49 (0) 851 988 70-0
www.simon-protec.com