

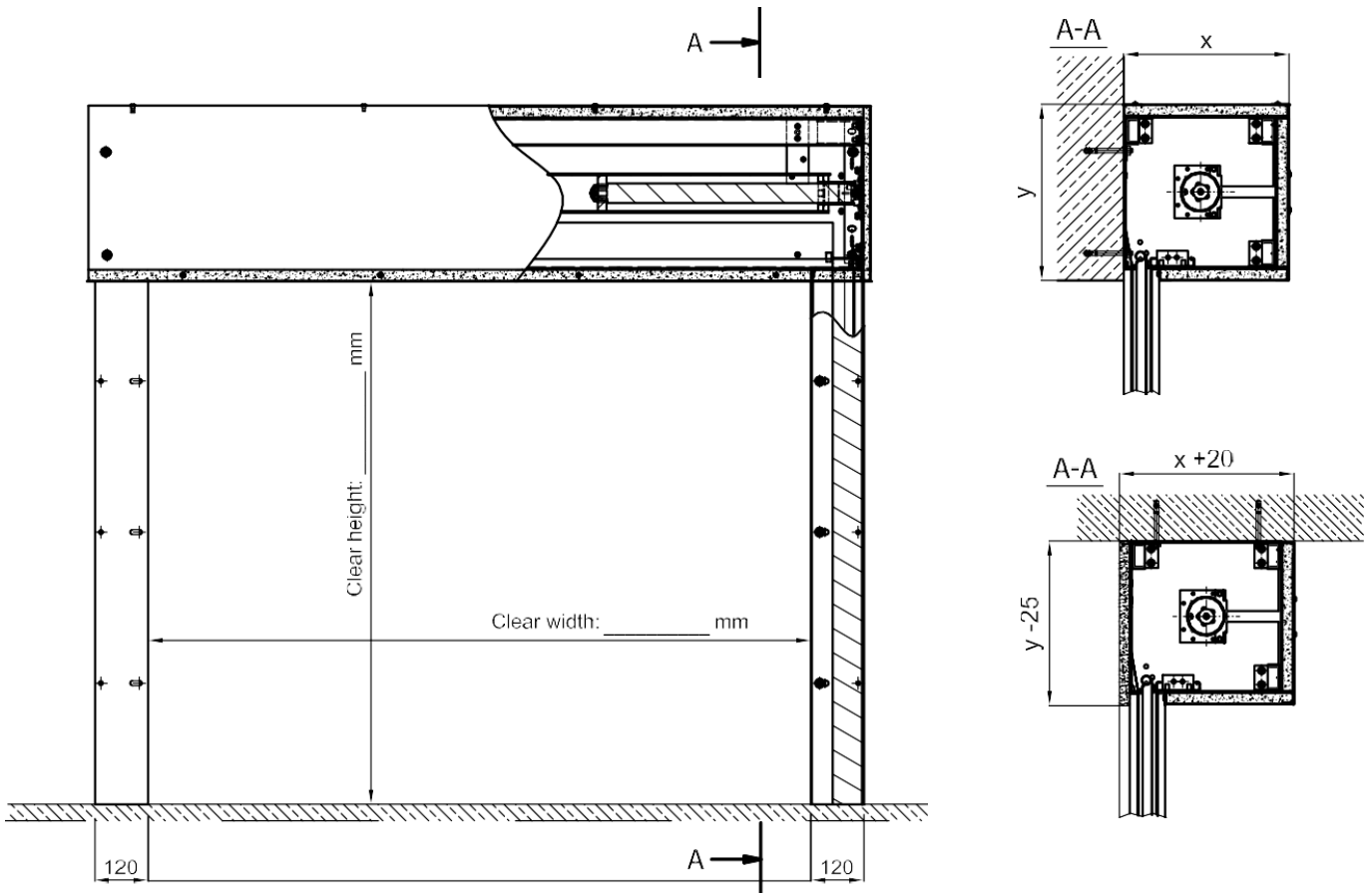
Fire Curtain – Version EI 120 – Internal tubular motor

Project / commission: _____ Description: _____

Process No: _____ Sales contact: _____

Successional important technical information to process your order/offer:
(Please check appropriate)

Motor position: left right



Dimensions of head box: Depth x / Height y (depending on clear dimensions)

- Wall mounting = **Depth x / Height y**
- Mounting in the reveal = **Depth x (+20 mm Insulation) / Height y (-25 mm Insulation)**

Clear Height	Clear width in mm (between the side guides)								
	1000	1500	2000	2500	3000	3500	4000	4500	5000
1000									
1500									
2000									
2500									
3000									
3500									
4000									

325 x 350 mm		375 x 400 mm		425 x 450 mm		475 x 500 mm		External motor
--------------	--	--------------	--	--------------	--	--------------	--	----------------

Version of coating:

Galvanised steel (standard)

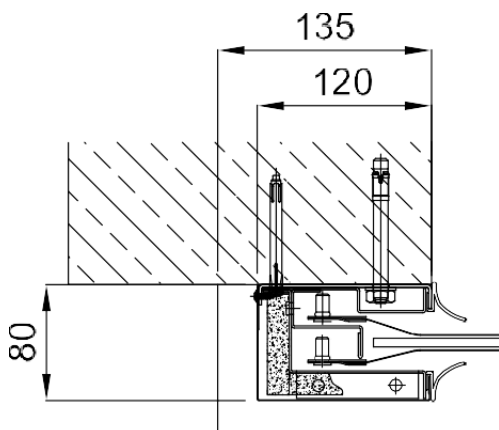
Special Design (extra charge):

RAL _____ Gloss Level: _____ Other: _____

Coating with primer, suitable for outdoor use

Complete system in stainless steel

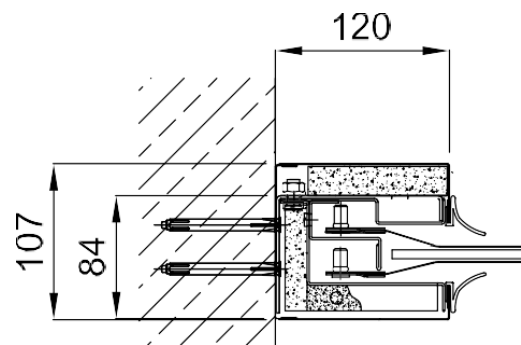
Mounting of the side guides:



Wall mounting

left

right



Mounting in the reveal

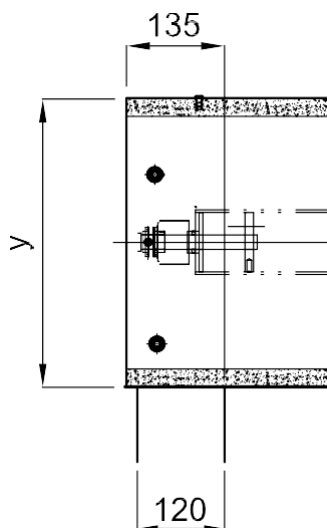
left

right

Ausführung Abrollkasten:

Mounting of head box: Wall mounting

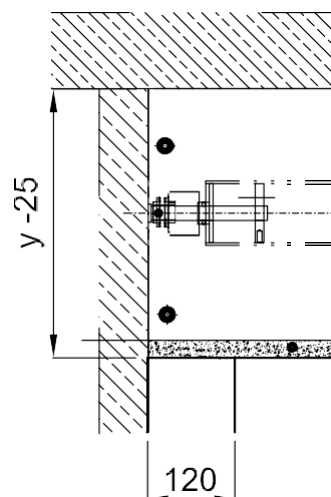
Ceiling mounting



Wall mounting (width excess length)

left

right



Mounting in the reveal

left

right

Note: You will receive an overview with measurements within the offer or the order confirmation.