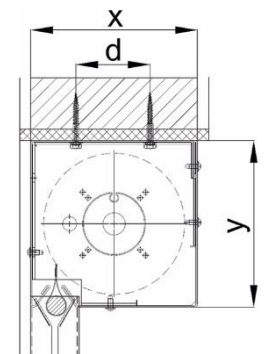
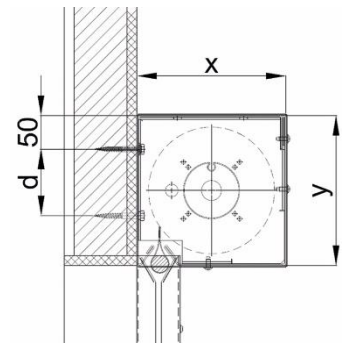
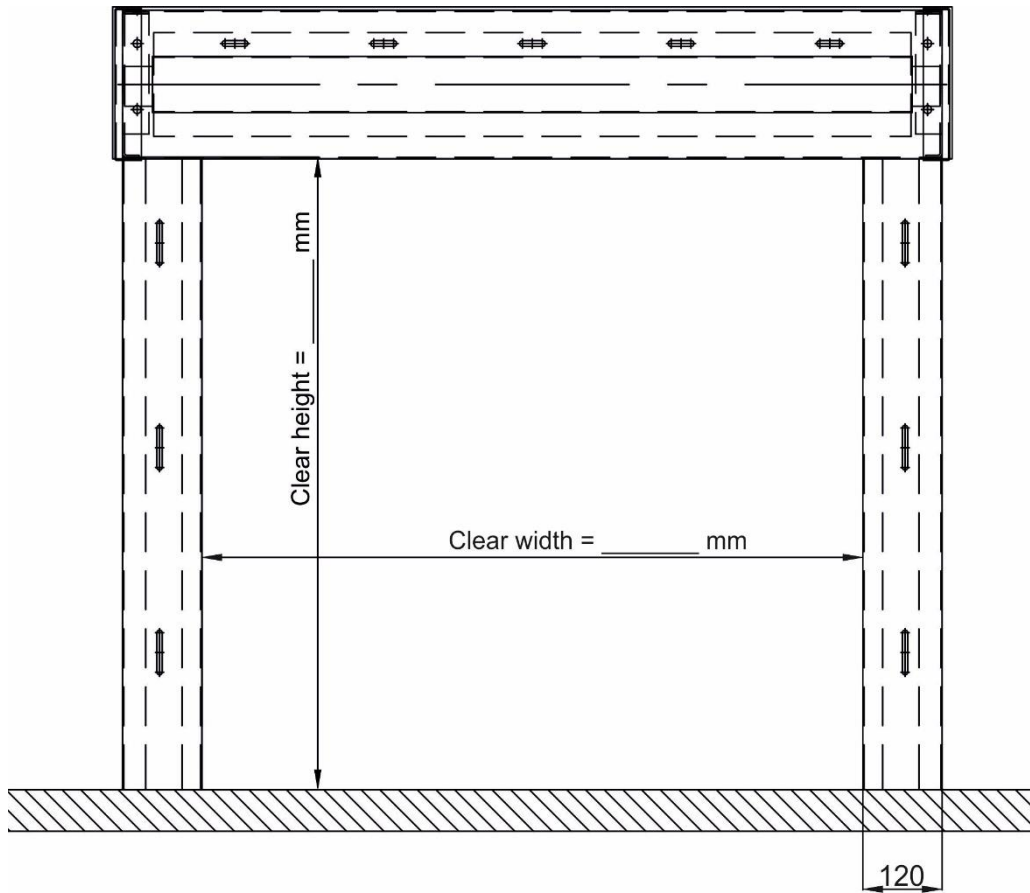


Version Firescreen EW 90

Client (Customer):	SIMON PROtec (Sales):
Project: _____	Process No.: _____
Name: _____	Editor: _____
Date / Signature: _____	Date / Signature: _____

Motor position: Left Right



Intern	
MB	
MH	

Dimensions of head box: Depth x / Height y (depending on clear dimensions)

Clear Height	Clear width in mm (between the side guides)													
	1000	2000	3000	3500	4000	4500	5000	5500	6000	6500	7000	7500	8000	8250
1000														
1500														
2000														
2500														
3000														
3500														
4000														
4500														
5000														
5500														
6000														

x = 225 mm	y = 225 mm	d = 100 mm	x = 275 mm	y = 275 mm	d = 120 mm	x = 345 mm	y = 345 mm	d = 160 mm
------------	------------	------------	------------	------------	------------	------------	------------	------------

Installation location:

- Indoor area  Outdoor area  weather protection plate
 Heating

Version of the coating:

- Coating – RAL 7035 (Standard)

Special Design (extra charge):

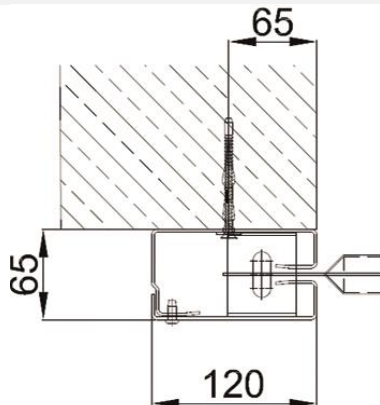
- RAL _____ Gloss Level: _____ Other: _____
 Coating for outdoor use
 Complete system in stainless steel

Mounting / wall type:

Only approved / tested fasteners may be used!

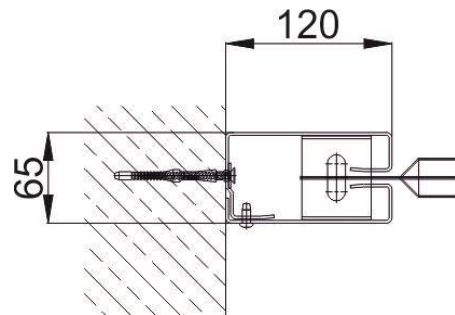
- Concrete / hollow concrete Aerated concrete
 Solid masonry / hollow masonry Steel construction (Promat cladding)

Mounting of side guides:



Wall mounting

- Left Right

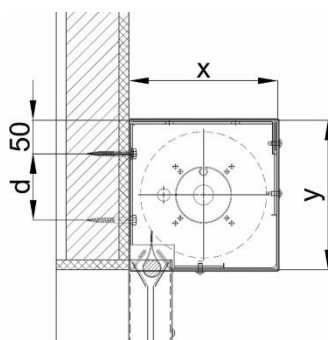


Mounting in reveal

- Left Right

Mounting head box:

- Wall mounting



- Ceiling mounting

