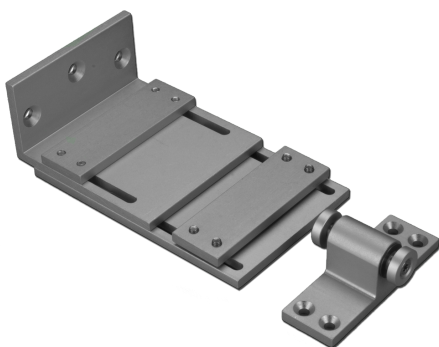


Technical Data**ARTICLE INFO**

The bracket K-KL²-S is an accessory for Folding Arm² actuators.

Application:

- Standard bracket set for outward opening bottom-hung and top-hung sashes, mounting on secondary closing edge, for PA-KL²

Overview of the K-KL²-S bracket:

- Accessories for the folding arm²
- for mounting at the secondary closing edges of the SHEV window opening outwards

TECHNICAL DATA

Matchcode	K-KL ² -S
Article name	Bracket K-KL ² -S
Part number	K2 1612
Mounting way	aufgesetzt
Weight	0.7